

# Panasonic

ideas for life

Super Dynamic III  
Color Dome Camera  
WV-CS954



RHP International - [www.Rock2000.com](http://www.Rock2000.com)  
Toll Free: 1-888-919-2263  
Outside the U.S.: ++1-845-343-4077  
Fax: +1-845-343-4299



**SDIII**  
Super Dynamic

## Superb Image Quality with Added Intelligence

The new Panasonic WV-CS954 Super Dynamic III dome camera is equipped with a 30x optical zoom lens. Combined with a 10x digital zoom, for a total zoom capability up to 300x, this camera can identify distant subjects.

With its Pixel Based 128x Dynamic Range, the WV-CS954 works beautifully even when contrast changes from scene to scene. Area free natural contrast image correction ensures accurate reproduction, whatever the subject. Horizontal resolution is also significantly higher, 540 lines (typical) in color or 570 lines in B/W. Plus, images stay clear and sharp in lighting as low as 0.5 lux (0.05 fc, in color) and 0.04 lux (0.004 fc, in B/W). Adaptive Digital Noise Reduction eliminates streaking from objects such as headlights. Its 0.065°/sec. ultra slow speed fine control and powerful zoom let you zoom in smoothly on your subject. Whatever the situation, WV-CS954 offers dramatic improvement in subject identification.

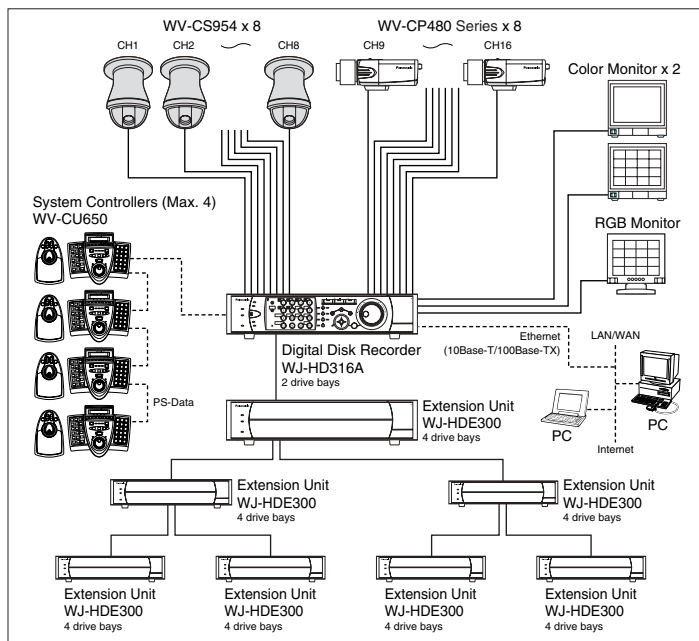
Additional intelligent features include Auto Image Stabilizer to eliminate blurring if the camera is shaken. Scene Change Detection to send the alarm signal if the camera is interfered with, Auto Tracking of intruders, and 256 preset positions.

Combining extraordinary image quality with added intelligence, the WV-CS954 brings unprecedented reliability to 24-hour surveillance.

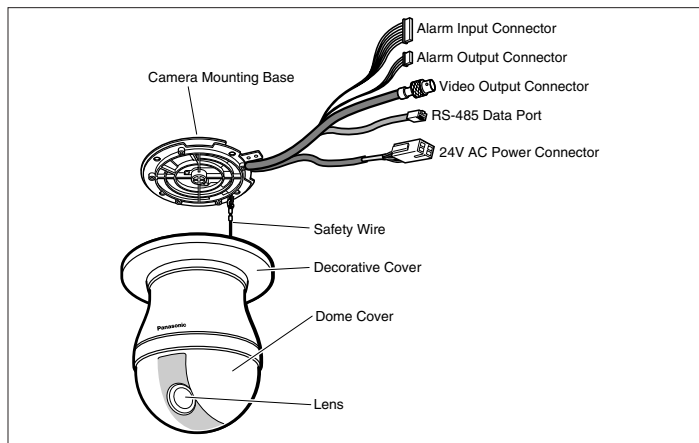
### KEY FEATURES

- All-in-one color surveillance dome camera unit.
- The new Pixel Based 128x Dynamic Range with area free natural contrast image correction adjusts moment-to-moment changes in contrast to view subjects accurately in all areas and positions.
- Higher horizontal resolution of 540-line (typical) at color mode, and 570-line at B/W mode.
- Minimum illumination of 0.5 lux (0.05 fc) at color mode, and 0.04 lux (0.004 fc) at B/W mode (Sens. up; off, AGC High).
- Innovative intelligent features:
  - \*Auto image stabilizer function for applications where vibration or wind is a concern, e.g. passing vehicles.
  - \*Scene change detection alarms when lens is covered, spray painted, removed, defocused or camera angle is changed.
  - \*Auto tracking function tracks moving objects and keeps them centered in the field of view. Perfect for restricted areas and after hour applications.
- Day/Night operation can be selected to automatically or manually switch from color to B/W.
- Privacy zone masking function.
- Linear 32x electronic sensitivity enhancement function.
- Digital motion detector.
- 30x optical zoom lens (3.8 - 114 mm at F1.4) plus 10x electronic digital zoom for total zoom capacity of 300x.
- Auto focus lens.
- Digital-FLIP by memory allows automatic 180° turn.
- Patrol Learn function (8 zone total).
- Auto panning function with 256 preset positions.
- 360° endless panning.
- Panning speed of max. 400°/s at preset mode and 0.065°/s super fine control at manual mode.
- Image Hold function during panning.
- Multiplex-coaxial or RS-485 data communication.
- Four (4) alarm inputs and two (2) outputs terminals.
- 16 alphanumeric character display.
- Internal/Line-lock/Multiplexed Vertical Drive (VD2) synchronization.
- 24V AC, 60Hz power source.
- Optional smoked dome cover, ceiling and wall mounts brackets are available for various applications.

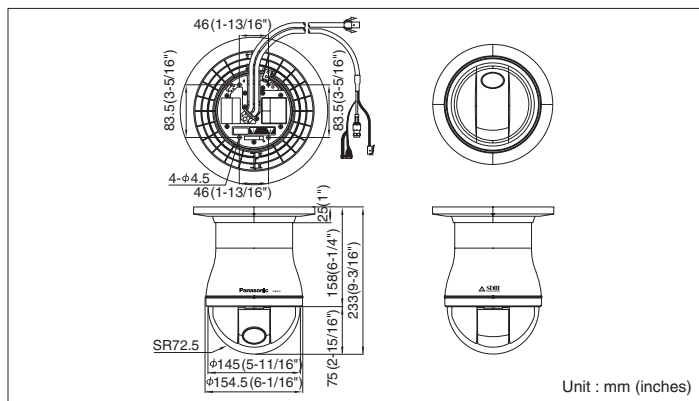
## SYSTEM EXAMPLE



## MAJOR OPERATING CONTROLS & TERMINALS



## APPEARANCE



**Important** – Safety Precaution: carefully read the operating instructions and installation manual before using this product.

• Weights and dimensions are approximate. • Specifications are subject to change without notice. • These products may be subject to export control regulations.

# Panasonic

**Panasonic System Solutions Company**  
Unit Company of Panasonic Corporation of North America  
**Security Systems**

Website : [www.panasonic.com/security](http://www.panasonic.com/security)  
For Customer Support : call 1.877.733.3689

**Executive Office** : Three Panasonic Way 2H-2, Secaucus, New Jersey 07094  
**Zone Office**  
**Eastern** : Three Panasonic Way, Secaucus, New Jersey 07094  
**Central** : 1707 N.Randal Road, Elgin, IL 60123  
**Southern** : 1225 Northbrook Parkway, Suwanee, GA 30024  
**Western** : 6550 Katella Ave., Cypress, CA 90630

## SPECIFICATIONS

Model No.	WV-CS954
<b>General</b>	
<b>Pick-up Device</b>	1/4-type interline transfer CCD
<b>Effective Pixels</b>	768 (H) x 494 (V)
<b>Scanning Area</b>	3.65 mm (H) x 2.74 mm (V)
<b>Signal</b>	NTSC/EIA
<b>Synchronization</b>	Internal / Line-Lock / Multiplexed Vertical Drive (VD2)
<b>Scanning</b>	2:1 interlace
<b>Scanning Frequencies</b>	Horizontal: 15.734 kHz, Vertical: 59.94 Hz
<b>Video Output</b>	VBS: 1.0 V [p-p] /75 Ω (BNC connector)
<b>Horizontal Resolution (Center)</b>	540 lines (in color, typical) 520 lines minimum (in color, HIGH mode) 480 lines minimum (in color, NORMAL mode) 570 lines minimum (in B/W)
<b>Minimum Illumination</b>	0.5 lux (0.05 fc) (in color) 0.04 lux (0.004 fc) (in B/W) *SENSE UP: OFF, AGC: HIGH
<b>Dynamic Range</b>	52 dB typical (SUPER-DYNAMIC III: ON)
<b>Signal-to-Noise Ratio</b>	50 dB minimum (AGC: OFF)
<b>Ambient Operating Temperature</b>	-10 °C - +50 °C (14 °F - 122 °F) Humidity: 90 % max. (non-condensation)
<b>Power Source and Consumption</b>	24 V AC, 60 Hz; 13.0 W
<b>Dimensions</b>	154.5 mm (D) x 233 mm (H) (6-1/16" (D) x 9-3/16" (H))
<b>Weight</b>	approx. 2.2 kg (4.84 lbs.)
<b>Pan and Tilt</b>	
<b>Panning Range</b>	360° endless
<b>Panning Modes</b>	Manual, auto, manual position, sequential position
<b>Panning Speed*</b>	Manual: approx. 0.065°/s - 120°/s 8 steps, 16 steps, 64 steps Preset: approx. 400°/s
<b>Tilting Range</b>	-5° - 185° (horizontal - vertical - horizontal) (According to the TILT ANGLE)
<b>Tilting Modes</b>	Manual, manual position, sequential position
<b>Tilting Speed*</b>	Manual: approx. 0.065°/s - 120°/s 8 steps, 16 steps, 64 steps Preset: approx. 400°/s
* Actual speed depends on type of optional controller being used.	
<b>Lens</b>	
<b>Zoom Ratio</b>	300x (30x optical zoom plus 10x electronic digital zoom)
<b>Focal Length</b>	3.8 mm - 114 mm
<b>Maximum Aperture Ratio</b>	1:1.4 (WIDE) - 3.7 (TELE)
<b>Object Distance</b>	1.5 m
<b>Iris Range</b>	F1.4 - 22, Close
<b>Angular Field of View</b>	Horizontal: 1.9° (TELE) - 52° (WIDE) Vertical: 1.4° (TELE) - 40° (WIDE)
<b>Main Functions</b>	
<b>Controller Interface</b>	Coaxial Multiplex System, RS-485 Transmission
<b>Control Functions</b>	Pan and tilt, zoom and focus, 256 preset positions, home position, patrol
<b>AGC</b>	ON (LOW/MID/HIGH), OFF
<b>Character Display</b>	ON, OFF (Preset ID, camera ID, area title: 16 alphanumeric characters)
<b>Zoom Speed</b>	approx. 6.0 seconds (TELE to WIDE) in manual mode
<b>Zoom Ratio Control</b>	1x - 300x (Over 30x is electronic zoom)
<b>Password Lock</b>	All menus
<b>Focus Speed</b>	approx. 6.0 seconds (FAR to NEAR, full TELE zoom) in manual mode
<b>Auto Focus</b>	MANUAL/AUTO (PAN, TILT, ZOOM linked)
<b>Iris</b>	ALC (Adjustable OPEN/CLOSE output target level)/MANUAL
<b>Shutter</b>	OFF (1/60), AUTO, 1/100, 1/250, 1/500, 1/1,000, 1/2,000, 1/4,000, 1/10,000
<b>Electronic Sensitivity Enhancement</b>	32x max. (AUTO or FIX; Factory Default: AUTO (2))
<b>Auto Mode</b>	OFF, SEQ, SORT, AUTO PAN, PATROL, AUTO TRACK
<b>Auto Pan Key</b>	SEQ, SORT, AUTO PAN, PATROL, AUTO TRACK
<b>Digital Flip</b>	ON/OFF
<b>Super Dynamic III</b>	ON/OFF
<b>Motion Detector</b>	OFF/MODE1/MODE2
<b>Alarm Input/Output</b>	4 inputs (ALARM IN 1 - ALARM IN 4) 2 outputs (ALARM/AUX1, BW/AUX2)
<b>Black and White Mode Switching</b>	AUTO/ON/OFF
<b>Privacy Zone</b>	ON/OFF (8 zone settings)
<b>Patrol</b>	STOP/PLAY/LEARN
<b>Cleaning</b>	ON/OFF
<b>Image Hold</b>	ON/OFF
<b>STABILIZER</b>	ON/OFF
<b>Scene Select Setting</b>	INDOOR (L) / INDOOR (H) / OUTDOOR (L) / OUTDOOR (H)
<b>Language Setting</b>	English, German, French, Italian, Spanish, Russian, Chinese, Japanese

## OPTIONAL ACCESSORIES

WV-CS3S	WV-Q105	WV-Q116	WV-Q117	WV-Q118
Smoke Cover	Direct Ceiling Installation	Embedded Ceiling Installation	Suspended Ceiling Installation	Wall Installation

DISTRIBUTED BY:

**PANASONIC CANADA INC.**  
5770 Ambler Drive, Mississauga, Ontario, L4W 2T3 Canada (905) 624-5010  
**PANASONIC PUERTO RICO INC.**  
DIVISION OF PANASONIC CORPORATION OF NORTH AMERICA  
San Gabriel Industrial Park, 65th Infantry Ave. KM. 9.5 Carolina, P.R. 00985 (809) 750-4300  
Printed in Japan  
WV-JHCS954T(2P-525)